

# DC Slim-Line Blowers



Wakefield-Vette's unique slim and powerful DC blowers are perfect for ultra-thin cooling applications, where cooling is a must. The Slim-Line blower features an ultra-thin blade design resulting in excellent performance & sound quality.

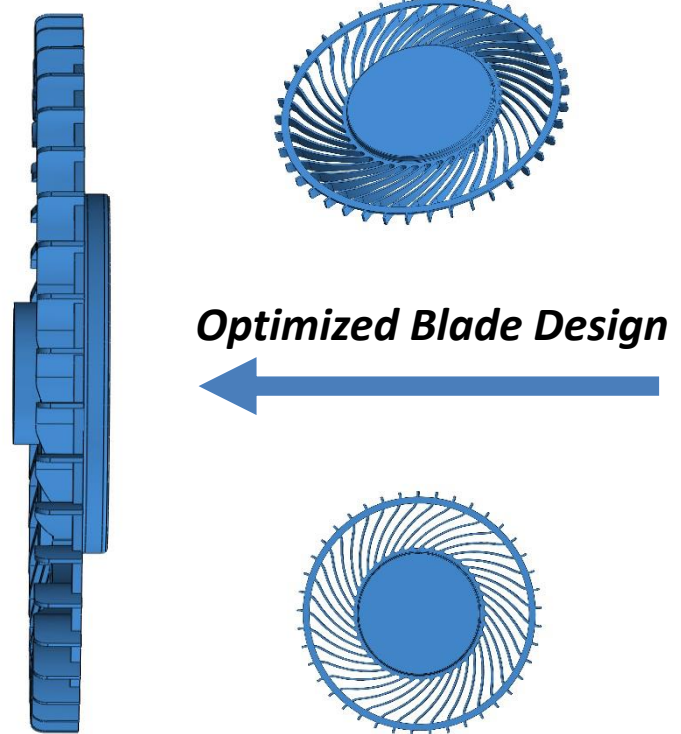
The Slim-Line Blower three-phase motor design provides exceptional balancing characteristics and low power consumption. Designed for tablets, notebooks, automotive, gaming monitors, all in one PC's, or any other low-profile application, these powerful, ultra-thin, direct-diverting blowers can be as thin as 3.2mm

## Options:

- IP-55 water protection rating
- Pulse width modulation control (PWM)
- Frequency generator output (FG signal/tach)
- Custom sizes and performances

## Features & Benefits:

- Sizes include:
  - Ultra Thin- as low as 3mm up to 10mm
  - Various Footprints
  - Custom sizes available Upon Request
- Operating temperature- -10°C to +70°C
- Long life- Rated 50,000 hours @ 40 °C
- Three-phase motor
- Optimized blade design
- Ultra-quiet (as low as 21db)
- Suitable for automotive applications



WKV PN	Fan Size (mm)	Description	Voltage (VDC)	Width (mm)	Air Flow (CFM)	Static Pressure (mm)	Noise	Power (Watts)	RPM	Termination
DB170303H2B-3T0	17*17*3.2	ULTRA THIN DC BLOWER 17X17X3.2MM 3V .204CFM	3	17	0.204	3.78	26.6dB(A)	0.12	12000	3 Wire, No Connector
DB200303H2B-3T0	20*20*3.2	ULTRA THIN DC BLOWER 20X20X3.2MM 3V .34CFM	3	20	0.34	4.66	26.9dB(A)	0.24	11000	3 Wire, No Connector
DB251005H2B-BT0	25*25*10	ULTRA THIN DC BLOWER 25X25X10MM 5V 2.8CFM PWM	5	25	2.856	6.23	25.5dB(A)	0.9	13000	4 Wire, PWM No Connector
DB300305H2B-BT0	30*30*3.2	ULTRA THIN DC BLOWER 30X30X3.2MM 5V .69CFM PWM	5	30	0.696	8.37	34.1dB(A)	0.5	9500	4 Wire, PWM No Connector
DB300405H2B-2T0	30*30*4.0	ULTRA THIN DC BLOWER 30X30X4MM 5V .76CFM	5	30	0.76	6.358	31.3dB(A)	0.5	9500	2 Wire, No Connector
DB301005H2B-2T0	30*30*10	ULTRA THIN DC BLOWER 30X30X10MM 5V 1.09CFM	5	30	1.09	5.61	28dB(A)	1.1	7000	2 Wire, No Connector
DB550505H2B-2T0	55*50*5.25	ULTRA THIN DC BLOWER 55X55X5.25MM 5V 1.27CFM	5	55	1.27	3.79	21.2dB(A)	0.7	3100	2 Wire, No Connector
DB590505H2B-BT0	59.3*55.6*5.6	ULTRA THIN DC BLOWER 59.3X55.6X5.6MM 5V 3.25CFM	5	59.3	3.25	17.08	41.1dB(A)	1.9	6700	4 Wire, PWM No Connector
DB630405H2B-BT0	63*63*4	ULTRA THIN DC BLOWER 63X63X4MM 5V 2.15CFM	5	63	2.15	12.84	35.4dB(A)	1.75	5700	4 Wire, PWM No Connector
DB620505H2B-BT0	61.8*57.3*5.6	ULTRA THIN DC BLOWER 61.8X57.3X5.6MM 5V 2.68CFM	5	61.8	2.68	19.9	42.8dB(A)	1.9	7400	4 Wire, PWM No Connector
DB890405H2B-BT0	89.1*83.8*4.7	ULTRA THIN DC BLOWER 89.1X83.8X4.7MM 5V 3.91CFM	5	89.1	3.91	11.4	38.5dB(A)	1.5	3400	4 Wire, PWM No Connector
DB870505H2B-BT0	87*74.5*5	ULTRA THIN DC BLOWER 87X74.5X5MM 5V 4.63CFM	5	87	4.63	14.52	40.9dB(A)	2.25	4500	4 Wire, PWM No Connector
DB870605H2B-BT0	87*74.5*5.5	ULTRA THIN DC BLOWER 87X74.5X5.5MM 12V 5.70CFM	5	87	5.7	15.87	41.85dB(A)	2.25	4600	4 Wire, PWM No Connector

# DC Slim-Line Blowers



## DB170303H2B-3T0

WKV PN	Fan Size (mm)	Description	Voltage (VDC)	Width (mm)	Air Flow (CFM)	Noise	Power (Watts)	RPM	Termination	Weight (g)
DB170303H2B-3T0	17*17*3.2	ULTRA THIN DC BLOWER 17X17X3.2MM 3V .204CFM	3	17	0.204	26.6dB(A)	0.12	12000	3 Wire, No Connector	1.6

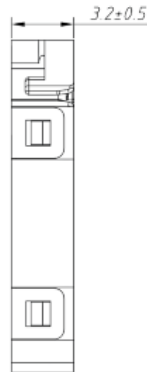
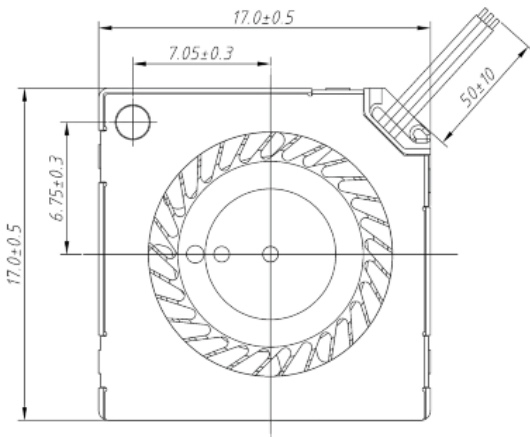
### Description: DC Fan with :

Lead Wire: UL3302 , AWG#32 , 50±10 mm lead length

RED WIRE----- (+)

BLACK WIRE----- (-)

YELLOW WIRE----- (FG)



### FEATURES

<input checked="" type="checkbox"/>	FG SIGNAL	<input type="checkbox"/>	IP-55 RATED
<input type="checkbox"/>	RD SIGNAL	<input type="checkbox"/>	HIGH TEMP RATED
<input type="checkbox"/>	PWM		

### DIMENSIONS

: 17 X 17 X 3.2 mm

BEARING TYPE : AFB

MOTOR PROTECTION : BY IC

RATED VOLTAGE : 3.0 VDC

OPERATING VOLTAGE RANGE : 2.2 ~ 3.5 VDC

START-UP VOLTAGE : 2.2 VDC, POWER ON/OFF

REAL CURRENT : 0.04 Amp

REAL POWER : 0.12 Watt

RATED CURRENT : 0.06 Amp +10% MAX

RATED POWER : 0.18 Watt

RATED SPEED : 12000 RPM ± 15 %

(IN FREE AIR AT RATED VOLTAGE)

AIR FLOW : 0.204 CFM (min. 0.173 CFM)

AIR FLOW : 0.005 CMM (min. 0.004 CMM)

(IN FREE AIR AT RATED VOLTAGE)

STATIC AIR PRESSURE : 0.148 InH<sub>2</sub>O (min. 0.106 InH<sub>2</sub>O)

STATIC AIR PRESSURE : 3.78 mmH<sub>2</sub>O (min. 2.731 mmH<sub>2</sub>O)

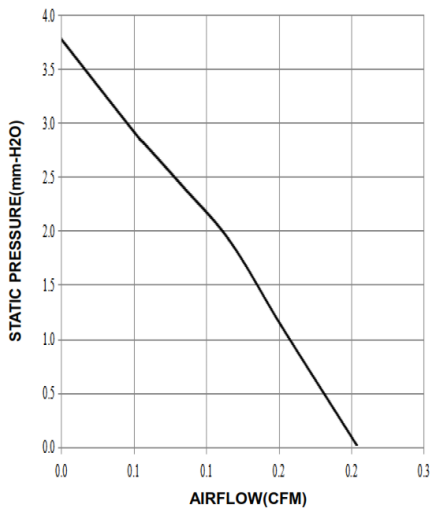
(IN FREE AIR AT RATED VOLTAGE)

NOISE LEVEL (0.3M) : 26.6 dB(A) (MAX.: 29.6 dB(A))

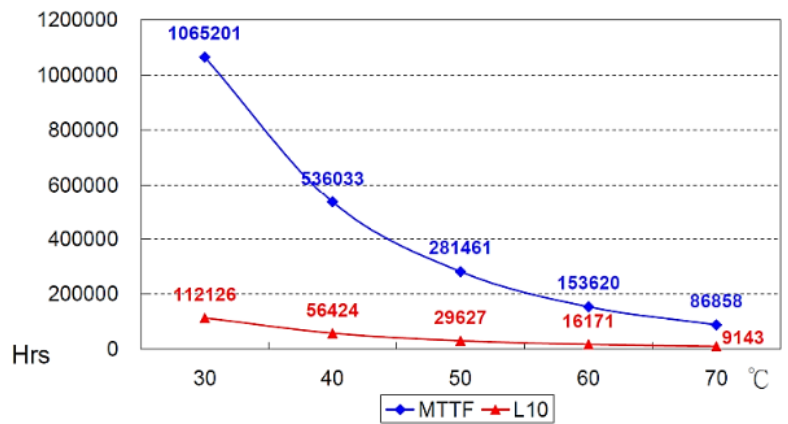
LIFE EXPECTANCY : 50000 Hours at 40°C / 65% RH

NET WEIGHT : 1.5 Gram

Fan Performance Curve



MTTF & L10 Curve



# DC Slim-Line Blowers

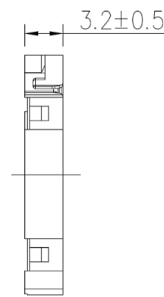
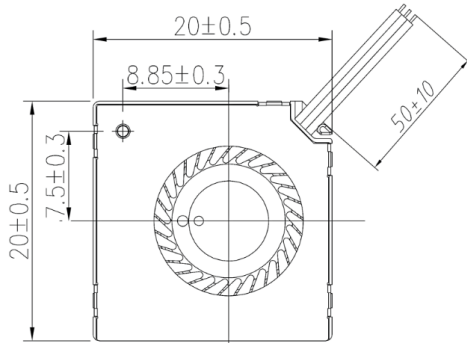


## DB200303H2B-3T0

WKV PN	Fan Size (mm)	Description	Voltage (VDC)	Width (mm)	Air Flow (CFM)	Noise	Power (Watts)	RPM	Termination	Weight (g)
DB200303H2B-3T0	20*20*3.2	ULTRA THIN DC BLOWER 20X20X3.2MM 3V .34CFM	3	20	0.34	26.9dB(A)	0.24	11000	3 Wire, No Connector	1.5

### Description: DC Fan with :

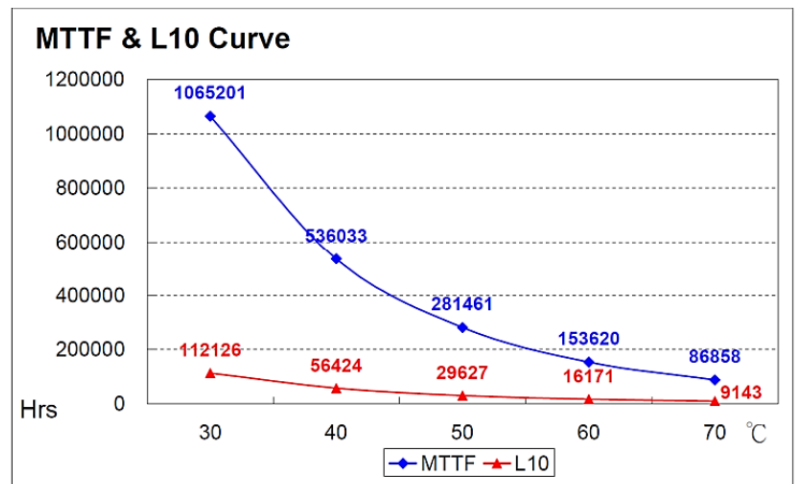
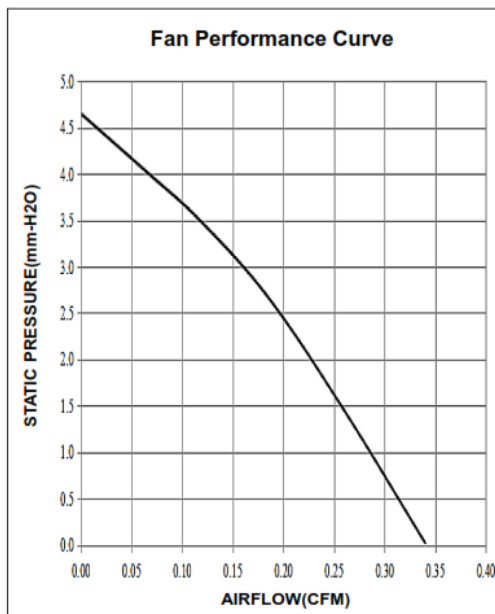
Lead Wire: UL3302 , AWG#32 , 50±10 mm lead length  
 RED WIRE----- (+)  
 BLACK WIRE----- (-)  
 YELLOW WIRE----- (FG)



### FEATURES

<input checked="" type="checkbox"/>	FG SIGNAL	<input type="checkbox"/>	IP-55 RATED
<input type="checkbox"/>	RD SIGNAL	<input type="checkbox"/>	HIGH TEMP RATED
<input type="checkbox"/>	PWM		

<b>DIMENSIONS</b>	:	20 X 20 X 3.2	mm
<b>BEARING TYPE</b>	:	AFB	
<b>MOTOR PROTECTION</b>	:	BY IC	
<b>RATED VOLTAGE</b>	:	3.0	VDC
<b>OPERATING VOLTAGE RANGE</b>	:	2.2 ~ 3.5	VDC
<b>START-UP VOLTAGE</b>	:	2.2	VDC , POWER ON/OFF
<b>REAL CURRENT</b>	:	0.08	Amp
<b>REAL POWER</b>	:	0.24	Watt
<b>RATED CURRENT</b>	:	0.12	Amp +10% MAX
<b>RATED POWER</b>	:	0.36	Watt
<b>RATED SPEED</b>	:	11000	RPM ± 15 %
		(IN FREE AIR AT RATED VOLTAGE)	
<b>AIR FLOW</b>	:	0.340	CFM (min.: 0.289 CFM)
<b>AIR FLOW</b>	:	0.009	CMM (min.: 0.007 CMM)
		(IN FREE AIR AT RATED VOLTAGE)	
<b>STATIC AIR PRESSURE</b>	:	0.183	InH <sub>2</sub> O (min.: 0.132 InH <sub>2</sub> O)
<b>STATIC AIR PRESSURE</b>	:	4.660	mmH <sub>2</sub> O (min.: 3.366 mmH <sub>2</sub> O)
		(IN FREE AIR AT RATED VOLTAGE)	
<b>NOISE LEVEL (0.3M)</b>	:	26.9	dB(A) (MAX.: 29.9 dB(A))
<b>LIFE EXPECTANCY</b>	:	50000	Hours at 40°C / 65% RH
<b>NET WEIGHT</b>	:	1.5	Gram



# DC Slim-Line Blowers

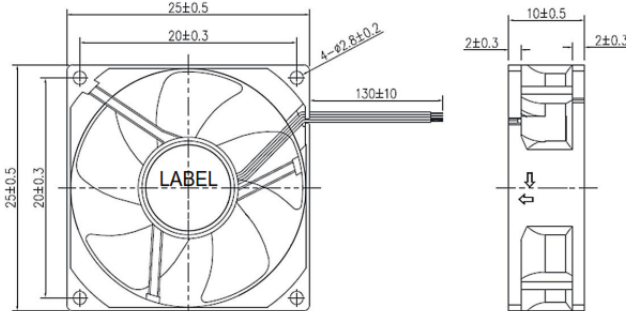


## DB251005H2B-BT0

WKV PN	Fan Size (mm)	Description	Voltage (VDC)	Width (mm)	Air Flow (CFM)	Noise	Power (Watts)	RPM	Termination	Weight (g)
DB251005H2B-BT0	25*25*10	ULTRA THIN DC BLOWER 25X25X10MM 5V 2.8CFM PWM	5	25	2.856	25.5dB(A)	0.9	13000	4 Wire, PWM No Connector	4.7

### Description: DC Fan with :

Lead Wire: UL3302 , AWG#32 , 130±10 mm lead length  
 RED WIRE ----- (+)  
 BLUE WIRE ----- (PWM)  
 BLACK WIRE ----- (-)  
 YELLOW WIRE ----- (FG)

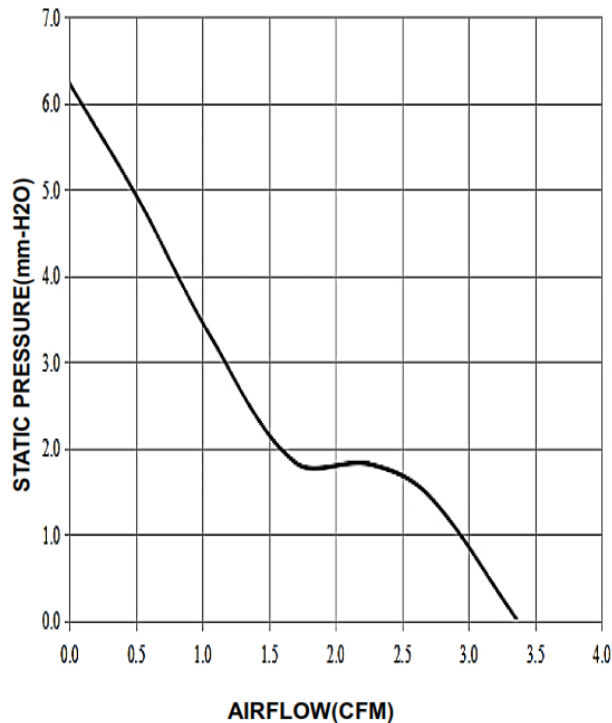


### FEATURES

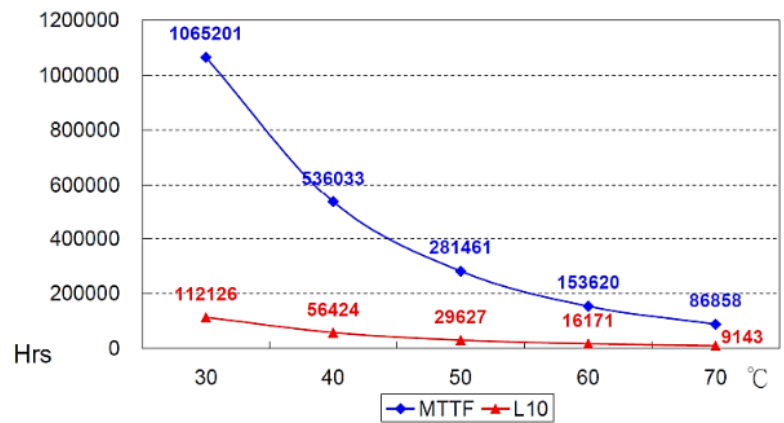
<input checked="" type="checkbox"/>	FG SIGNAL	<input type="checkbox"/>	IP-55 RATED
<input type="checkbox"/>	RD SIGNAL	<input type="checkbox"/>	HIGH TEMP RATED
<input checked="" type="checkbox"/>	PWM		

<b>DIMENSIONS</b>	: 25 X 25 X 10 mm
<b>BEARING TYPE</b>	: AFB
<b>MOTOR PROTECTION</b>	: BY IC
<b>RATED VOLTAGE</b>	: 5.0 VDC
<b>OPERATING VOLTAGE RANGE</b>	: 3.5 ~ 5.5 VDC
<b>START-UP VOLTAGE</b>	: 3.5 VDC , POWER ON/OFF
<b>REAL CURRENT</b>	: 0.12 Amp
<b>REAL POWER</b>	: 0.60 Watt
<b>RATED CURRENT</b>	: 0.18 Amp +10% MAX (Duty cycle 100%)
<b>RATED POWER</b>	: 0.90 Watt (Duty cycle 100%)
<b>RATED SPEED</b>	: 13000 RPM ± 15 % (Duty cycle 100%)
	(IN FREE AIR AT RATED VOLTAGE)
<b>AIR FLOW</b>	: 3.36 CFM (min. 2.856 CFM)
<b>AIR FLOW</b>	: 0.095 CMM (min. 0.080 CMM)
	(IN FREE AIR AT RATED VOLTAGE)
<b>STATIC AIR PRESSURE</b>	: 0.245 InH <sub>2</sub> O (min. 0.177 InH <sub>2</sub> O)
<b>STATIC AIR PRESSURE</b>	: 6.23 mmH <sub>2</sub> O (min. 4.501 mmH <sub>2</sub> O)
	(IN FREE AIR AT RATED VOLTAGE)
<b>NOISE LEVEL</b>	: 25.5 dB(A) (MAX.: 28.5 dB(A))
<b>LIFE EXPECTANCY</b>	: 50000 Hours at 40°C / 65% RH
<b>NET WEIGHT</b>	: 4.7 Gram

### Fan Performance Curve



### MTTF & L10 Curve



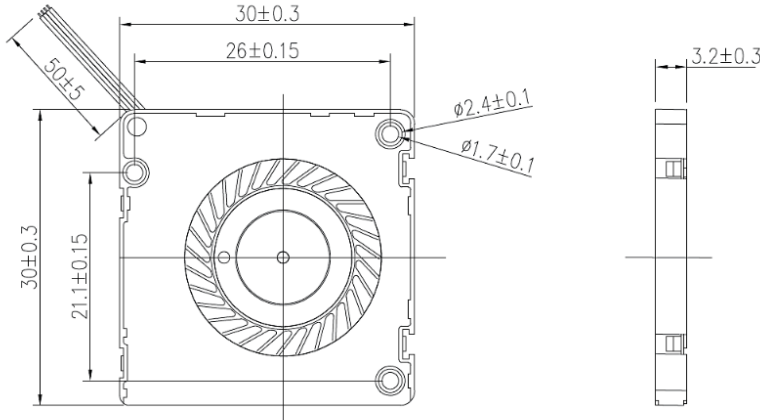
# DC Slim-Line Blowers

## DB300305H2B-BT0

WKV PN	Fan Size (mm)	Description	Voltage (VDC)	Width (mm)	Air Flow (CFM)	Noise	Power (Watts)	RPM	Termination	Weight (g)
DB300305H2B-BT0	30*30*3.2	ULTRA THIN DC BLOWER 30X30X3.2MM 5V .69CFM PWM	5	30	0.696	34.1dB(A)	0.5	9500	4 Wire, PWM No Connector	5.1

### Description: DC Fan with :

Lead Wire: UL3302 , AWG#32 , 50±5 mm lead length  
 BLACK WIRE ----- (-)  
 BLUE WIRE ----- (PWM)  
 YELLOW WIRE ----- (FG)  
 RED WIRE ----- (+)

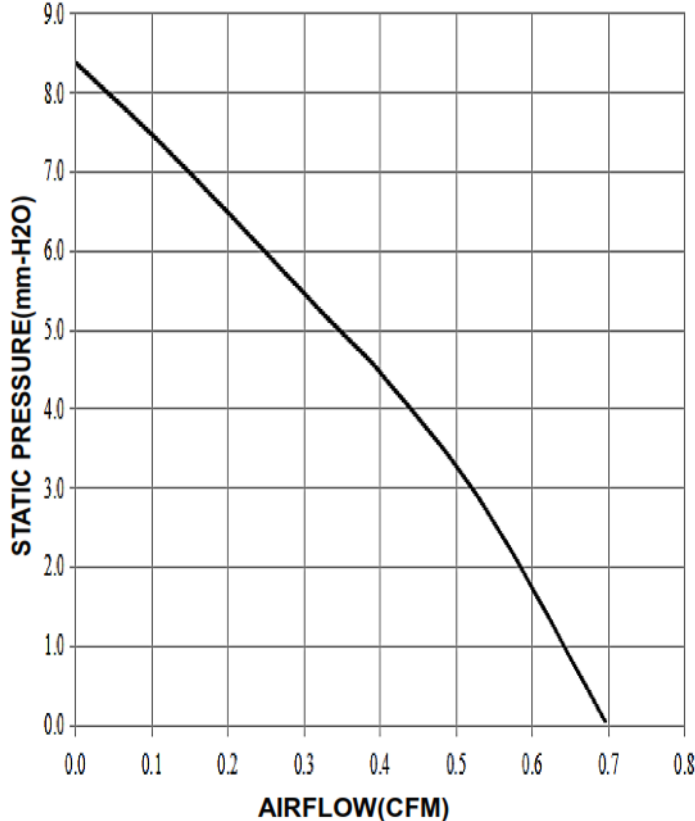


### FEATURES

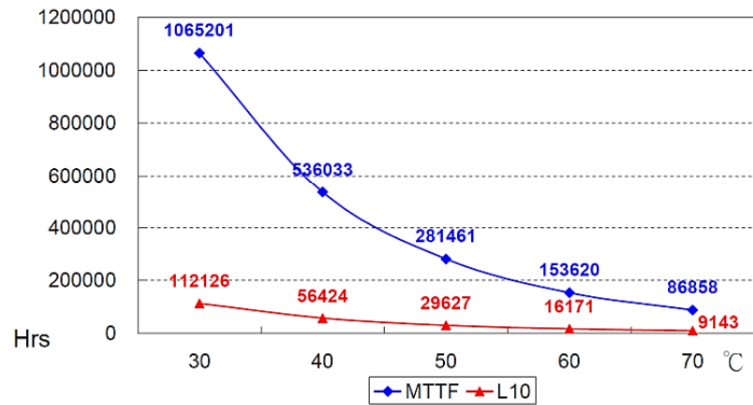
<input checked="" type="checkbox"/>	FG SIGNAL	<input type="checkbox"/>	IP-55 RATED
<input type="checkbox"/>	RD SIGNAL	<input type="checkbox"/>	HIGH TEMP RATED
<input checked="" type="checkbox"/>	PWM		

<b>DIMENSIONS</b>	: 30 X 30 X 3.2 mm
<b>BEARING TYPE</b>	: AFB
<b>MOTOR PROTECTION</b>	: BY IC
<b>RATED VOLTAGE</b>	: 5.0 VDC
<b>OPERATING VOLTAGE RANGE</b>	: 3.5 ~ 5.5 VDC
<b>START-UP VOLTAGE</b>	: 3.5 VDC , POWER ON/OFF
<b>REAL CURRENT</b>	: 0.10 Amp
<b>REAL POWER</b>	: 0.50 Watt
<b>RATED CURRENT</b>	: 0.30 Amp +10% MAX (Duty cycle 100%)
<b>RATED POWER</b>	: 1.50 Watt (Duty cycle 100%)
<b>RATED SPEED</b>	: 9500 RPM ± 15 % (Duty cycle 100%)
	(IN FREE AIR AT RATED VOLTAGE)
<b>AIR FLOW</b>	: 0.696 CFM (min. 0.591 CFM)
<b>AIR FLOW</b>	: 0.019 CMM (min. 0.016 CMM)
	(IN FREE AIR AT RATED VOLTAGE)
<b>STATIC AIR PRESSURE</b>	: 0.329 InH <sub>2</sub> O (min. 0.237 InH <sub>2</sub> O)
<b>STATIC AIR PRESSURE</b>	: 8.37 mmH <sub>2</sub> O (min. 6.047 mmH <sub>2</sub> O)
	(IN FREE AIR AT RATED VOLTAGE)
<b>NOISE LEVEL (0.3M)</b>	: 34.1 dB(A) (MAX.: 37.1 dB(A))
<b>LIFE EXPECTANCY</b>	: 50000 Hours at 40°C / 65% RH
<b>NET WEIGHT</b>	: 5.1 Gram

### Fan Performance Curve



### MTTF & L10 Curve



# DC Slim-Line Blowers

DB300405H2B-2T0



## FEATURES

FG SIGNAL	IP-55 RATED
RD SIGNAL	HIGH TEMP RATED
PWM	

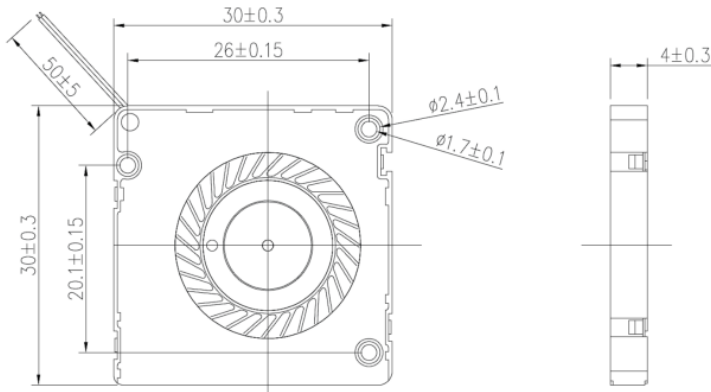
<b>DIMENSIONS</b>	: 30 X 30 X 4 mm
<b>BEARING TYPE</b>	: AFB
<b>MOTOR PROTECTION</b>	: BY IC
<b>RATED VOLTAGE</b>	: 5.0 VDC
<b>OPERATING VOLTAGE RANGE</b>	: 3.5 ~ 5.5 VDC
<b>START-UP VOLTAGE</b>	: 3.5 VDC , POWER ON/OFF
<b>REAL CURRENT</b>	: 0.10 Amp
<b>REAL POWER</b>	: 0.50 Watt
<b>RATED CURRENT</b>	: 0.30 Amp +10% MAX
<b>RATED POWER</b>	: 1.50 Watt
<b>RATED SPEED</b>	: 9500 RPM $\pm$ 15 %
	(IN FREE AIR AT RATED VOLTAGE)
<b>AIR FLOW</b>	: 0.760 CFM (min. 0.646 CFM)
<b>AIR FLOW</b>	: 0.021 CMM (min. 0.017 CMM)
	(IN FREE AIR AT RATED VOLTAGE)
<b>STATIC AIR PRESSURE</b>	: 0.346 InH <sub>2</sub> O (min. 0.249 InH <sub>2</sub> O)
<b>STATIC AIR PRESSURE</b>	: 8.80 mmH <sub>2</sub> O (min. 6.358 mmH <sub>2</sub> O)
	(IN FREE AIR AT RATED VOLTAGE)
<b>NOISE LEVEL (0.3M)</b>	: 31.3 dB(A) (MAX.: 34.3 dB(A))
<b>LIFE EXPECTANCY</b>	: 50000 Hours at 40°C / 65% RH
<b>NET WEIGHT</b>	: 5 Gram

## Description: DC Fan with :

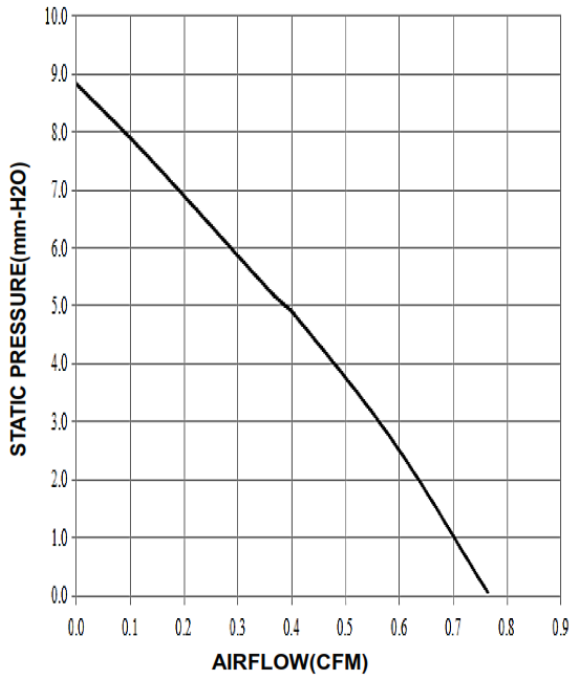
Lead Wire: UL3302 , AWG#32 , 50 $\pm$ 5 mm lead length

RED WIRE ----- (+)

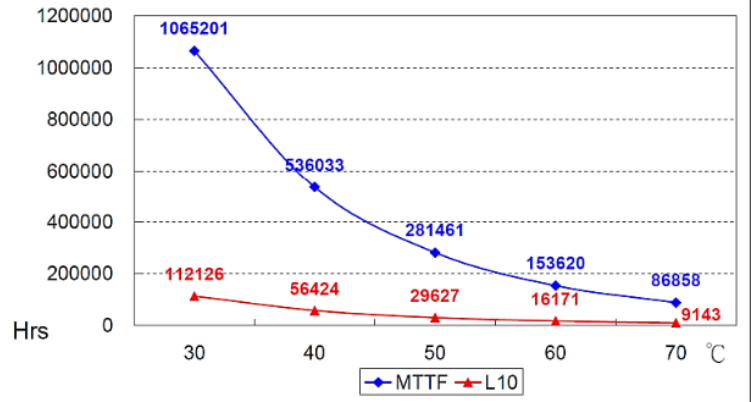
BLACK WIRE ----- (-)



Fan Performance Curve



MTTF & L10 Curve



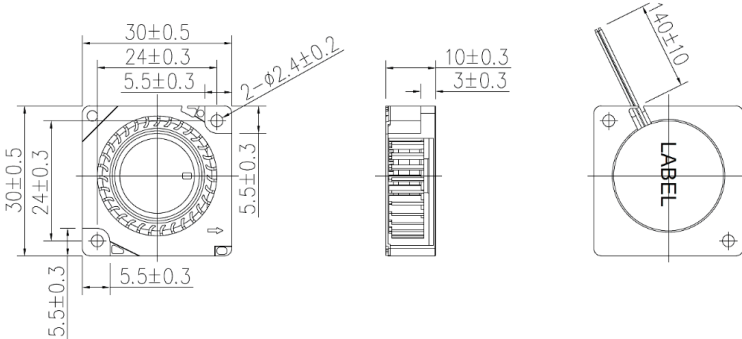
# DC Slim-Line Blowers

DB301005H2B-2T0



## Description: DC Fan with :

Lead Wire: UL3302 , AWG#30 , 140±10 mm lead length  
 RED WIRE ----- (+)  
 BLACK WIRE ----- (-)

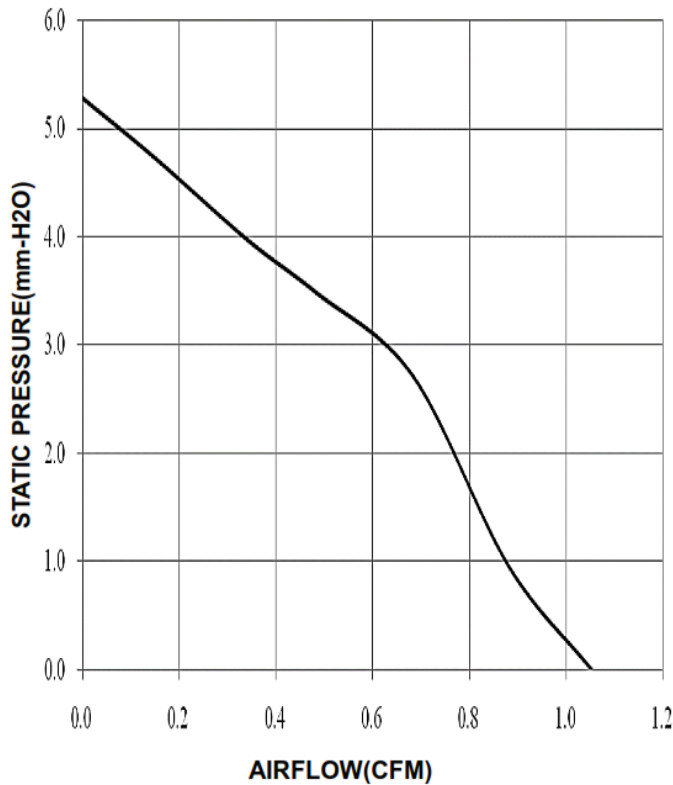


## FEATURES

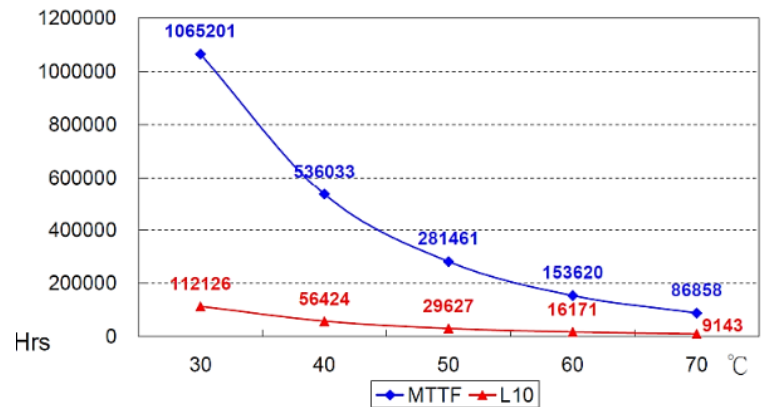
- FG SIGNAL
- RD SIGNAL
- PWM
- IP-55 RATED
- HIGH TEMP RATED

<b>DIMENSIONS</b>	: 30 X 30 X 10 mm
<b>BEARING TYPE</b>	: AFB
<b>MOTOR PROTECTION</b>	: BY IC
<b>RATED VOLTAGE</b>	: 5.0 VDC
<b>OPERATING VOLTAGE RANGE</b>	: 3.5 ~ 5.5 VDC
<b>START-UP VOLTAGE</b>	: 3.5 VDC , POWER ON/OFF
<b>REAL CURRENT</b>	: 0.21 Amp
<b>REAL POWER</b>	: 1.10 Watt
<b>RATED CURRENT</b>	: 0.25 Amp +10% MAX
<b>RATED POWER</b>	: 1.30 Watt
<b>RATED SPEED</b>	: 7000 RPM ± 15 %
	(IN FREE AIR AT RATED VOLTAGE)
<b>AIR FLOW</b>	: 1.09 CFM (min.: 0.926 CFM)
<b>AIR FLOW</b>	: 0.030 CMM (min.: 0.025 CMM)
	(IN FREE AIR AT RATED VOLTAGE)
<b>STATIC AIR PRESSURE</b>	: 0.220 InH <sub>2</sub> O (min.: 0.158 InH <sub>2</sub> O)
<b>STATIC AIR PRESSURE</b>	: 5.61 mmH <sub>2</sub> O (min.: 4.053 mmH <sub>2</sub> O)
	(IN FREE AIR AT RATED VOLTAGE)
<b>NOISE LEVEL</b>	: 28.0 dB(A) (MAX.: 31.0 dB(A))
<b>LIFE EXPECTANCY</b>	: 50000 Hours at 40°C / 65% RH
<b>NET WEIGHT</b>	: 8.4 Gram

## Fan Performance Curve



## MTTF & L10 Curve



# DC Slim-Line Blowers

## DB550505H2B-2T0

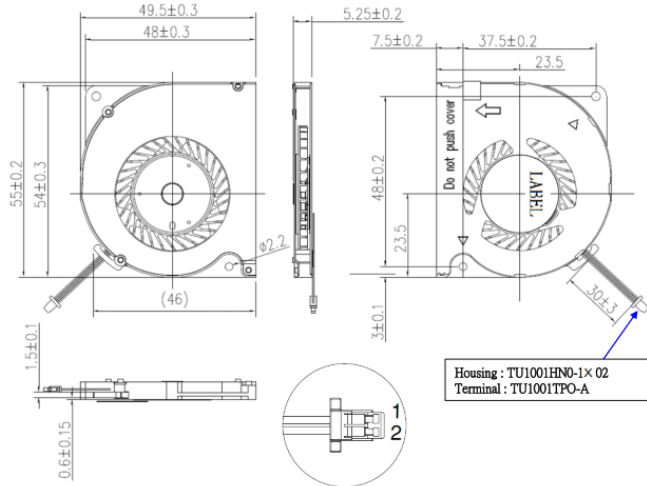
WKV PN	Fan Size (mm)	Description	Voltage (VDC)	Width (mm)	Air Flow (CFM)	Noise	Power (Watts)	RPM	Termination	Weight (g)
DB550505H2B-2T0	55*50*5.25	ULTRA THIN DC BLOWER 55X55X5.25MM 5V 1.27CFM	5	55	1.27	21.2dB(A)	0.7	3100	2 Wire, No Connector	17

### Description: DC Fan with :

Lead Wire: UL3302 , AWG#30 , 30±3 mm lead length

PIN1 : RED WIRE ----- (+)

PIN2 : BLACK WIRE ----- (-)



### FEATURES

<input type="checkbox"/>	FG SIGNAL	<input type="checkbox"/>	IP-55 RATED
<input type="checkbox"/>	RD SIGNAL	<input type="checkbox"/>	HIGH TEMP RATED
<input type="checkbox"/>	PWM		

### DIMENSIONS

: 55 X 50 X 5.25 mm

### BEARING TYPE

: AFB

### MOTOR PROTECTION

: BY IC

### RATED VOLTAGE

: 5.0 VDC

### OPERATING VOLTAGE RANGE

: 3.5 ~ 6.0 VDC

### START-UP VOLTAGE

: 3.5 VDC , POWER ON/OFF

### REAL CURRENT

: 0.12 Amp

### REAL POWER

: 0.70 Watt

### RATED CURRENT

: 0.40 Amp +10% MAX

### RATED POWER

: 2.00 Watt

### RATED SPEED

: 3100 RPM ± 15 %

(IN FREE AIR AT RATED VOLTAGE)

### AIR FLOW

: 1.27 CFM (min. 1.079 CFM)

### AIR FLOW

: 0.035 CMM (min. 0.029 CMM)  
(IN FREE AIR AT RATED VOLTAGE)

### STATIC AIR PRESSURE

: 0.149 InH<sub>2</sub>O (min. 0.107 InH<sub>2</sub>O)

### STATIC AIR PRESSURE

: 3.79 mmH<sub>2</sub>O (min. 2.738 mmH<sub>2</sub>O)  
(IN FREE AIR AT RATED VOLTAGE)

### NOISE LEVEL (0.5M)

: 21.2 dB(A) (MAX.: 24.2 dB(A))

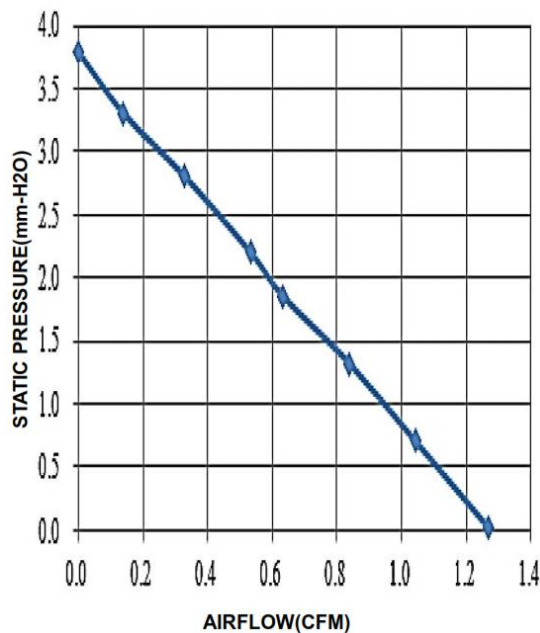
### LIFE EXPECTANCY

: 50000 Hours at 40°C / 65% RH

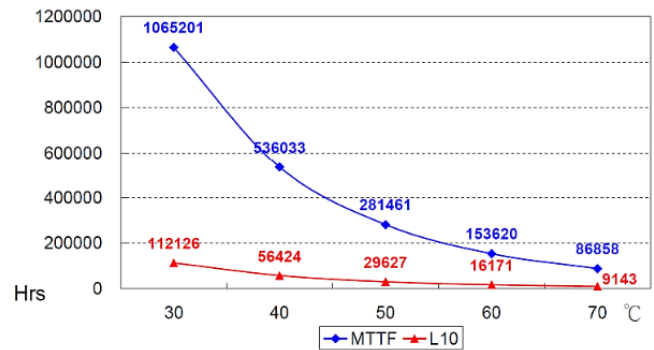
### NET WEIGHT

: 17 Gram

### Fan Performance Curve



### MTTF & L10 Curve





# DC Slim-Line Blowers



## DB590505H2B-BT0

WKV PN	Fan Size (mm)	Description	Voltage (VDC)	Width (mm)	Air Flow (CFM)	Noise	Power (Watts)	RPM	Termination	Weight (g)
DB590505H2B-BT0	59.3*55.6*5.6	ULTRA THIN DC BLOWER 59.3X55.6X5.6MM 5V 3.25CFM	5	59.3	3.25	41.1dB(A)	1.9	6700	4 Wire, PWM No Connector	20

### Description: DC Fan with :

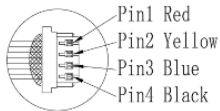
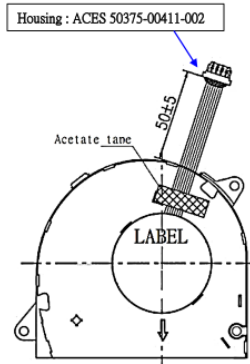
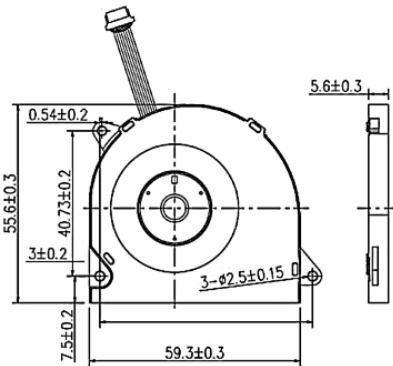
Lead Wire: UL3302 , AWG#32 , 50±5 mm lead length

PIN1 : RED WIRE ----- (+)

PIN2 : YELLOW WIRE ----- (FG)

PIN3 : BLUE WIRE ----- (PWM)

PIN4 : BLACK WIRE ----- (-)



### FEATURES

V	FG SIGNAL	□	IP-55 RATED
□	RD SIGNAL	□	HIGH TEMP RATED
V	PWM		

### DIMENSIONS

: 59.3 X 55.6 X 5.6 mm

### BEARING TYPE

: AFB

### MOTOR PROTECTION

: BY IC

### RATED VOLTAGE

: 5.0 VDC

### OPERATING VOLTAGE RANGE

: 3.5 ~ 5.5 VDC

### START-UP VOLTAGE

: 3.5 VDC , POWER ON/OFF

### REAL CURRENT

: 0.38 Amp

### REAL POWER

: 1.90 Watt

### RATED CURRENT

: 0.40 Amp +10% MAX (Duty cycle 100%)

### RATED POWER

: 2.00 Watt (Duty cycle 100%)

### RATED SPEED

: 6700 RPM ± 10 % (Duty cycle 100%)

(IN FREE AIR AT RATED VOLTAGE)

### AIR FLOW

: 3.25 CFM (min. 2.925 CFM)

### AIR FLOW

: 0.091 CMM (min. 0.081 CMM)

(IN FREE AIR AT RATED VOLTAGE)

### STATIC AIR PRESSURE

: 0.672 InH<sub>2</sub>O (min. 0.544 InH<sub>2</sub>O)

### STATIC AIR PRESSURE

: 17.08 mmH<sub>2</sub>O (min. 13.834 mmH<sub>2</sub>O)

(IN FREE AIR AT RATED VOLTAGE)

### NOISE LEVEL (0.5M)

: 41.1 dB(A) (MAX.: 44.1 dB(A))

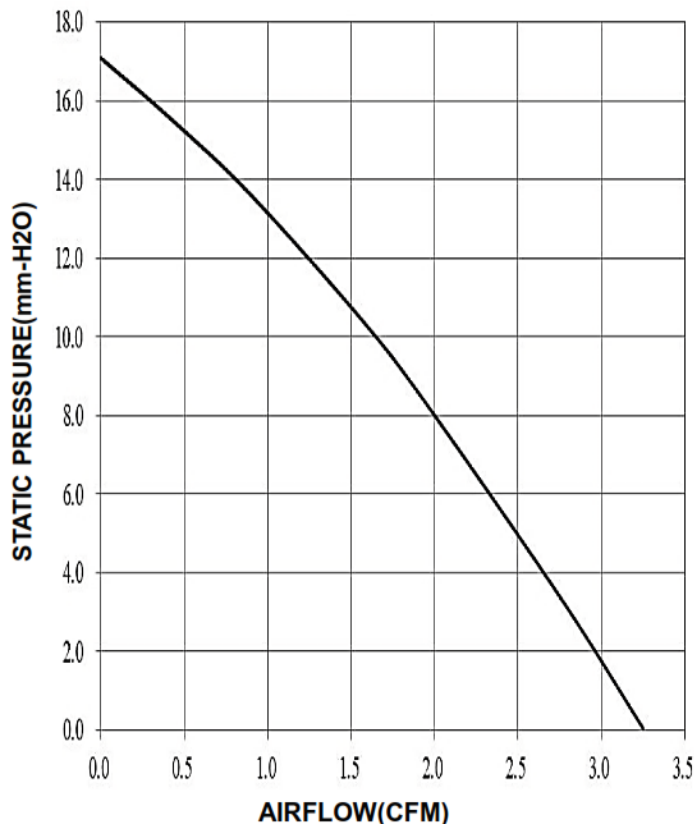
### LIFE EXPECTANCY

: 50000 Hours at 40°C / 65% RH

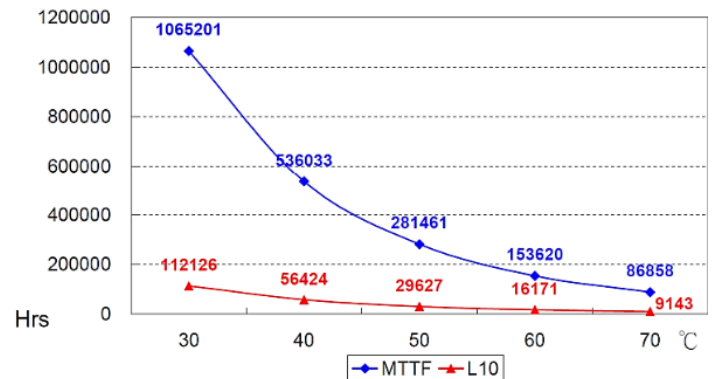
### NET WEIGHT

: 20 Gram

### Fan Performance Curve



### MTTF & L10 Curve



# DC Slim-Line Blowers



## DB630405H2B-BT0

WKV PN	Fan Size (mm)	Description	Voltage (VDC)	Width (mm)	Air Flow (CFM)	Noise	Power (Watts)	RPM	Termination	Weight (g)
DB630405H2B-BT0	63*63*4	ULTRA THIN DC BLOWER 63X63X4MM 5V 2.15CFM	5	63	2.15	35.4dB(A)	1.75	5700	4 Wire, PWM No Connector	26

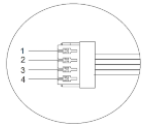
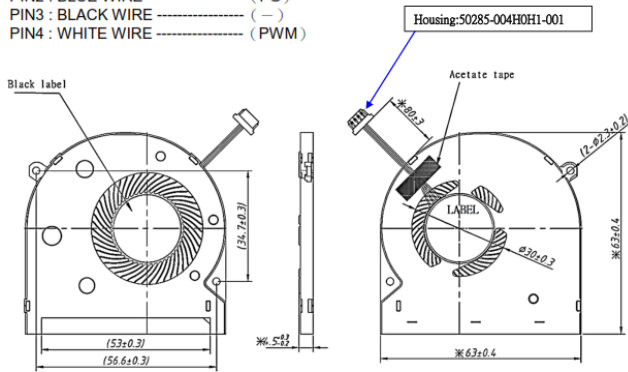
### FEATURES

<input checked="" type="checkbox"/>	FG SIGNAL	<input type="checkbox"/>	IP-55 RATED
<input type="checkbox"/>	RD SIGNAL	<input type="checkbox"/>	HIGH TEMP RATED
<input checked="" type="checkbox"/>	PWM		

### Description: DC Fan with :

Lead Wire: UL3302 , AWG#32 , 80±3 mm lead length

- PIN1 : RED WIRE ----- (+)
- PIN2 : BLUE WIRE ----- (FG)
- PIN3 : BLACK WIRE ----- (-)
- PIN4 : WHITE WIRE ----- (PWM)



### DIMENSIONS

: 63 X 63 X 4 mm

### BEARING TYPE

: AFB

### MOTOR PROTECTION

: BY IC

### RATED VOLTAGE

: 5.0 VDC

### OPERATING VOLTAGE RANGE

: 3.5 ~ 5.5 VDC

### START-UP VOLTAGE

: 3.5 VDC , POWER ON/OFF

### REAL CURRENT

: 0.40 Amp

### REAL POWER

: 1.75 Watt

### RATED CURRENT

: 0.50 Amp +10% MAX (Duty cycle 100%)

### RATED POWER

: 2.50 Watt (Duty cycle 100%)

### RATED SPEED

: 5700 RPM ± 10 % (Duty cycle 100%)

(IN FREE AIR AT RATED VOLTAGE)

### AIR FLOW

: 2.15 CFM (min.: 1.935 CFM)

### AIR FLOW

: 0.060 CMM (min.: 0.054 CMM)

(IN FREE AIR AT RATED VOLTAGE)

### STATIC AIR PRESSURE

: 0.505 InH<sub>2</sub>O (min.: 0.409 InH<sub>2</sub>O)

### STATIC AIR PRESSURE

: 12.84 mmH<sub>2</sub>O (min.: 10.40 mmH<sub>2</sub>O)

(IN FREE AIR AT RATED VOLTAGE)

### NOISE LEVEL (0.5M)

: 35.4 dB(A) (MAX.: 38.4 dB(A))

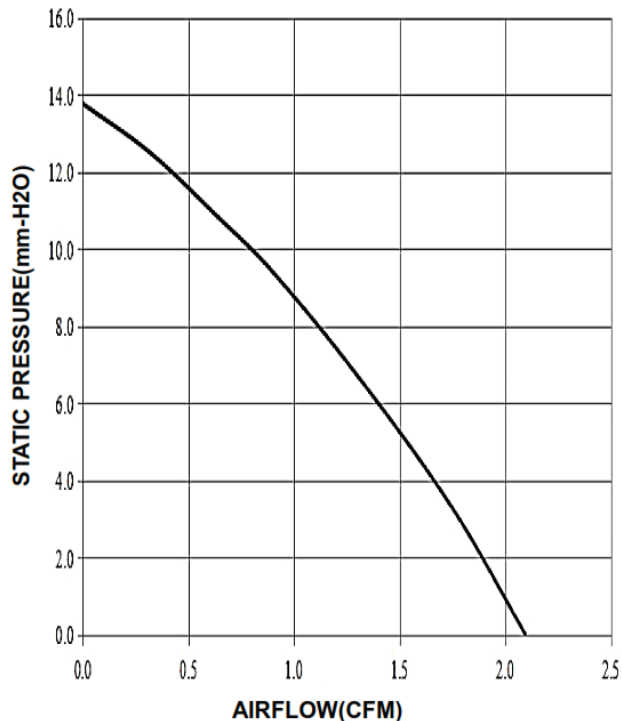
### LIFE EXPECTANCY

: 50000 Hours at 40°C / 65% RH

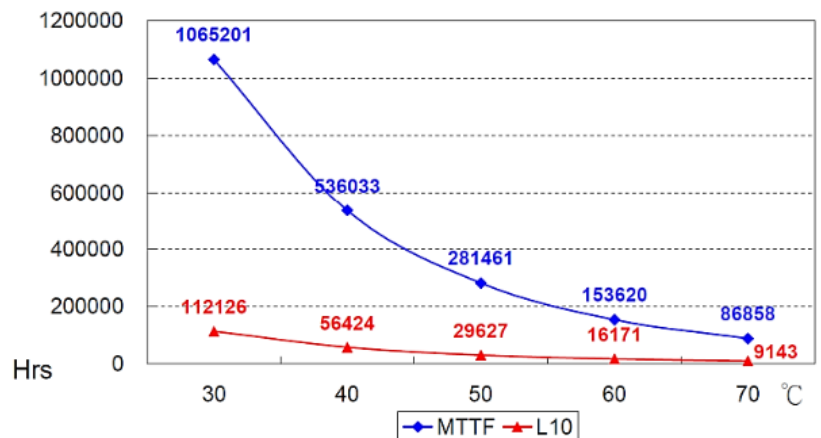
### NET WEIGHT

: 26 Gram

### Fan Performance Curve



### MTTF & L10 Curve



# DC Slim-Line Blowers

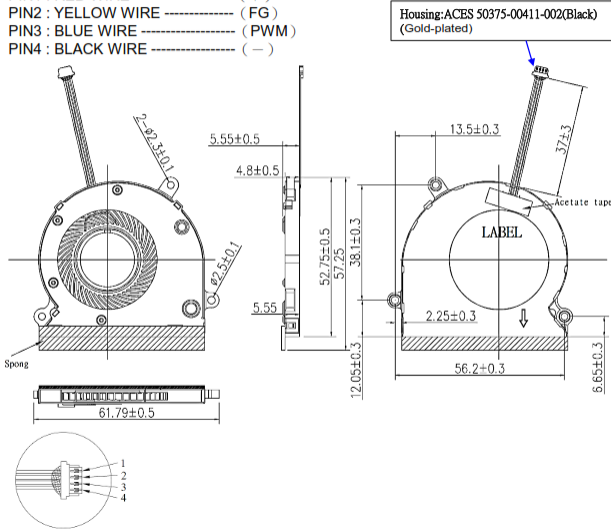


## DB630405H2B-BT0

WKV PN	Fan Size (mm)	Description	Voltage (VDC)	Width (mm)	Air Flow (CFM)	Noise	Power (Watts)	RPM	Termination	Weight (g)
DB620505H2B-BT0	61.8*57.3*5.6	ULTRA THIN DC BLOWER 61.8X57.3X5.6MM 5V 2.68CFM	5	61.8	2.68	42.8dB(A)	1.9	7400	4 Wire, PWM No Connector	17

### Description: DC Fan with :

Lead Wire: UL3302 , AWG#32 , 37±3 mm lead length  
 PIN1 : RED WIRE ----- (+)  
 PIN2 : YELLOW WIRE ----- (FG)  
 PIN3 : BLUE WIRE ----- (PWM)  
 PIN4 : BLACK WIRE ----- (-)

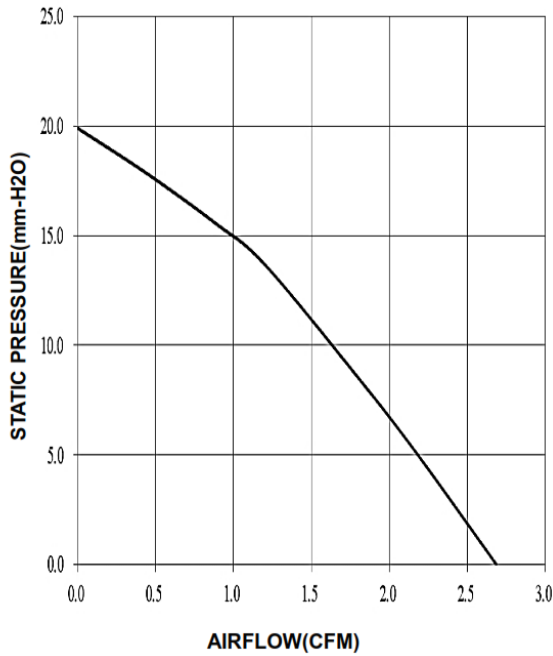


### FEATURES

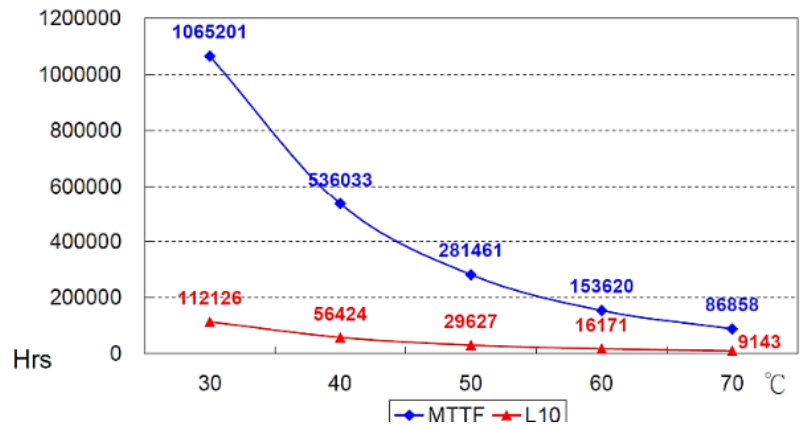
<input checked="" type="checkbox"/>	FG SIGNAL	<input type="checkbox"/>	IP-55 RATED
<input type="checkbox"/>	RD SIGNAL	<input type="checkbox"/>	HIGH TEMP RATED
<input checked="" type="checkbox"/>	PWM		

<b>DIMENSIONS</b>	: 61.8 X 57.3 X 5.6 mm
<b>BEARING TYPE</b>	: AFB
<b>MOTOR PROTECTION</b>	: BY IC
<b>RATED VOLTAGE</b>	: 5.0 VDC
<b>OPERATING VOLTAGE RANGE</b>	: 3.5 ~ 5.5 VDC
<b>START-UP VOLTAGE</b>	: 3.5 VDC , POWER ON/OFF
<b>REAL CURRENT</b>	: 0.38 Amp
<b>REAL POWER</b>	: 1.90 Watt
<b>RATED CURRENT</b>	: 0.50 Amp +10% MAX (Duty cycle 100%)
<b>RATED POWER</b>	: 2.50 Watt (Duty cycle 100%)
<b>RATED SPEED</b>	: 7400 RPM ± 10 % (Duty cycle 100%)
	(IN FREE AIR AT RATED VOLTAGE)
<b>AIR FLOW</b>	: 2.68 CFM (min. 2.412 CFM)
<b>AIR FLOW</b>	: 0.075 CMM (min. 0.067 CMM)
	(IN FREE AIR AT RATED VOLTAGE)
<b>STATIC AIR PRESSURE</b>	: 0.783 InH <sub>2</sub> O (min. 0.634 InH <sub>2</sub> O)
<b>STATIC AIR PRESSURE</b>	: 19.90 mmH <sub>2</sub> O (min. 16.119 mmH <sub>2</sub> O)
	(IN FREE AIR AT RATED VOLTAGE)
<b>NOISE LEVEL (0.5M)</b>	: 42.8 dB(A) (MAX.: 45.8 dB(A))
<b>LIFE EXPECTANCY</b>	: 50000 Hours at 40°C / 65% RH
<b>NET WEIGHT</b>	: 17 Gram

### Fan Performance Curve



### MTTF & L10 Curve



# DC Slim-Line Blowers

## DB890405H2B-BT0

WKV PN	Fan Size (mm)	Description	Voltage (VDC)	Width (mm)	Air Flow (CFM)	Noise	Power (Watts)	RPM	Termination	Weight (g)
DB890405H2B-BT0	89.1*83.8*4.7	ULTRA THIN DC BLOWER 89.1X83.8X4.7MM 5V 3.91CFM	5	89.1	3.91	38.5dB(A)	1.5	3400	4 Wire, PWM No Connector	38

### Description: DC Fan with :

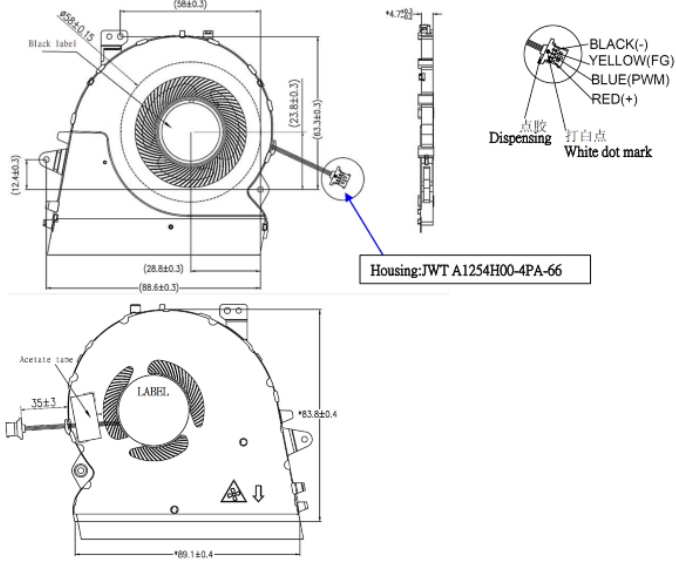
Lead Wire: UL3302 , AWG#32 , 35±3 mm lead length

BLACK WIRE ----- ( - )

YELLOW WIRE ----- ( FG )

BLUE WIRE ----- ( PWM )

RED WIRE ----- ( + )



### FEATURES

V	FG SIGNAL	□	IP-55 RATED
V	RD SIGNAL	□	HIGH TEMP RATED
V	PWM	□	

### DIMENSIONS

: 89.1 X 83.8 X 4.7 mm

### BEARING TYPE

: FDB

### MOTOR PROTECTION

: BY IC

### RATED VOLTAGE

: 5.0 VDC

### START-UP DUTY

: 20% , AT RATED VOLTAGE

### REAL CURRENT

: 0.30 Amp

### REAL POWER

: 1.50 Watt

### RATED CURRENT

: 0.45 Amp +10% MAX (Duty cycle 100%)

### RATED POWER

: 2.25 Watt (Duty cycle 100%)

### RATED SPEED

: 3400 RPM ± 10 % (Duty cycle 100%)

(IN FREE AIR AT RATED VOLTAGE)

### AIR FLOW

: 3.91 CFM (min 3.519 CFM)

### AIR FLOW

: 0.110 CMM (min 0.099 CMM)

(IN FREE AIR AT RATED VOLTAGE)

### STATIC AIR PRESSURE

: 0.448 InH<sub>2</sub>O (min 0.362 InH<sub>2</sub>O)

### STATIC AIR PRESSURE

: 11.4 mmH<sub>2</sub>O (min 9.234 mmH<sub>2</sub>O)

(IN FREE AIR AT RATED VOLTAGE)

### NOISE LEVEL

: 38.5 dB(A) (MAX.: 41.5 dB(A))

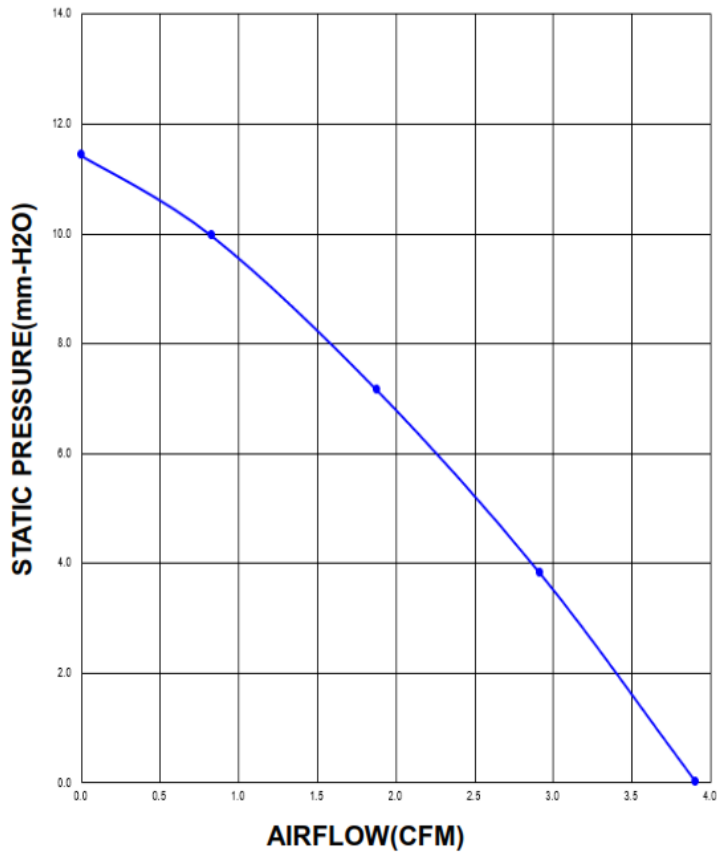
### LIFE EXPECTANCY

: 50000 Hours at 40°C / 65% RH

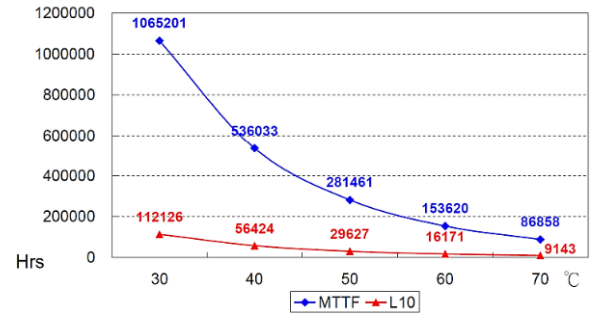
### NET WEIGHT

: 38 Gram

### Fan Performance Curve



### MTTF & L10 Curve



# DC Slim-Line Blowers

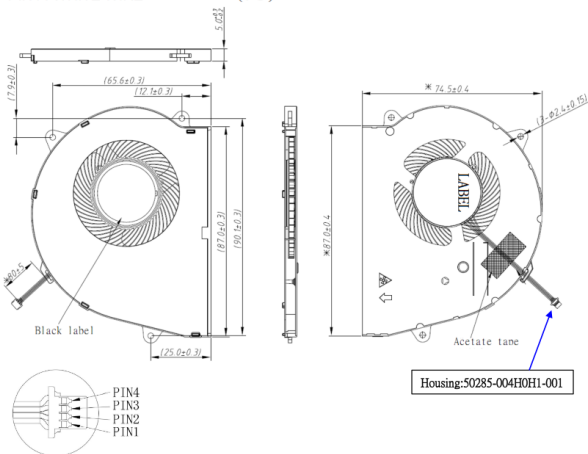
## DB870505H2B-BT0

WKV PN	Fan Size (mm)	Description	Voltage (VDC)	Width (mm)	Air Flow (CFM)	Noise	Power (Watts)	RPM	Termination	Weight (g)
DB870505H2B-BT0	87*74.5*5	ULTRA THIN DC BLOWER 87X74.5X5MM 5V 4.63CFM	5	87	4.63	40.9dB(A)	2.25	4500	4 Wire, PWM No Connector	41

### Description: DC Fan with :

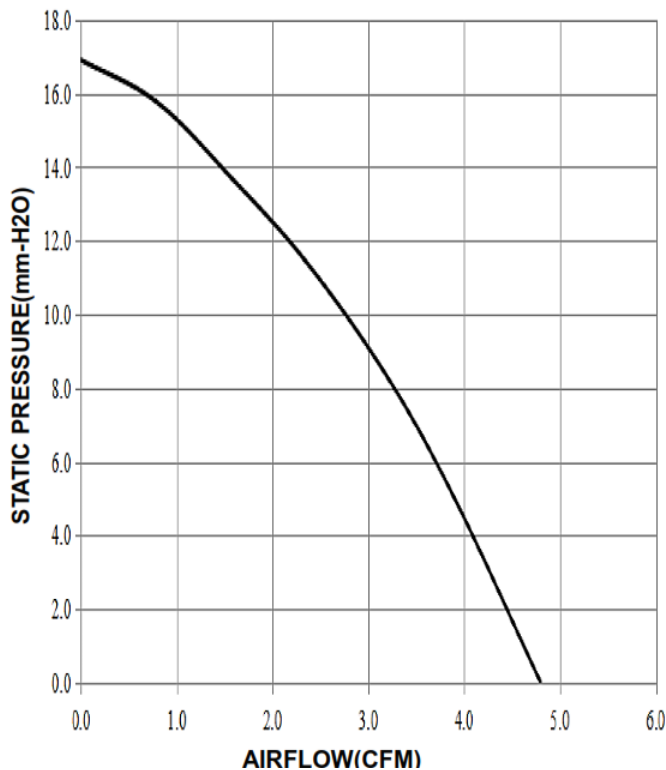
Lead Wire: UL3302 , AWG#32 , 80±5 mm lead length

- PIN1 : RED WIRE----- (+)
- PIN2 : BLUE WIRE----- (PWM)
- PIN3 : BLACK WIRE----- (-)
- PIN4 : WHITE WIRE----- (FG)

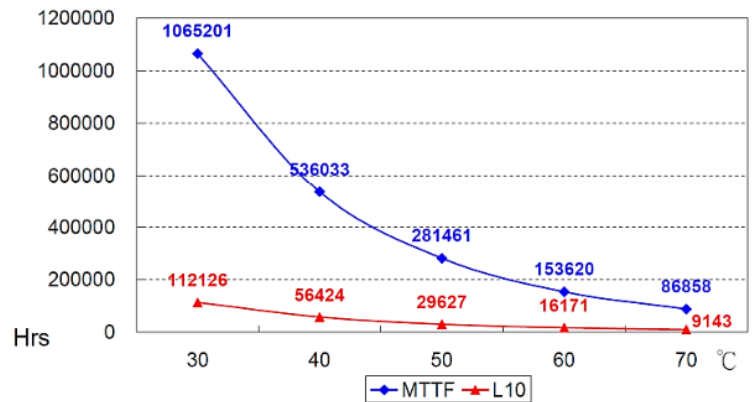


<b>DIMENSIONS</b>	:	87 X 75 X 5 mm
<b>BEARING TYPE</b>	:	AFB
<b>MOTOR PROTECTION</b>	:	BY IC
<b>RATED VOLTAGE</b>	:	5.0 VDC
<b>OPERATING VOLTAGE RANGE</b>	:	2.5 ~ 5.5 VDC
<b>START-UP VOLTAGE</b>	:	2.5 VDC , POWER ON/OFF
<b>REAL CURRENT</b>	:	0.45 Amp
<b>REAL POWER</b>	:	2.25 Watt
<b>RATED CURRENT</b>	:	0.50 Amp +10% MAX (Duty cycle 100%)
<b>RATED POWER</b>	:	2.50 Watt (Duty cycle 100%)
<b>RATED SPEED</b>	:	4500 RPM ± 15 % (Duty cycle 100%)
		(IN FREE AIR AT RATED VOLTAGE)
<b>AIR FLOW</b>	:	4.63 CFM (min. 3.935 CFM)
<b>AIR FLOW</b>	:	0.131 CMM (min. 0.111 CMM)
		(IN FREE AIR AT RATED VOLTAGE)
<b>STATIC AIR PRESSURE</b>	:	0.571 InH <sub>2</sub> O (min. 0.412 InH <sub>2</sub> O)
<b>STATIC AIR PRESSURE</b>	:	14.52 mmH <sub>2</sub> O (min. 10.49 mmH <sub>2</sub> O)
		(IN FREE AIR AT RATED VOLTAGE)
<b>NOISE LEVEL (0.5M)</b>	:	40.9 dB(A) (MAX.: 43.9 dB(A))
<b>LIFE EXPECTANCY</b>	:	50000 Hours at 40°C / 65% RH
<b>NET WEIGHT</b>	:	41 Gram

### Fan Performance Curve



### MTTF & L10 Curve



# DC Slim-Line Blowers



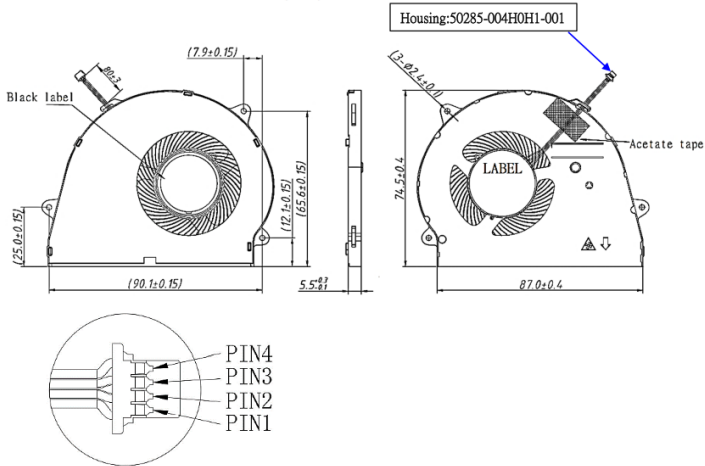
## DB870605H2B-BT0

WKV PN	Fan Size (mm)	Description	Voltage (VDC)	Width (mm)	Air Flow (CFM)	Noise	Power (Watts)	RPM	Termination	Weight (g)
DB870605H2B-BT0	87*74.5*5.5	ULTRA THIN DC BLOWER 87X74.5X5.52MM 12V 5.70CFM	5	87	5.7	41.85dB(A)	2.25	4600	4 Wire, PWM No Connector	46

### Description: DC Fan with :

Lead Wire: UL3302 , AWG#32 , 80±3 mm lead length

- PIN1 : RED WIRE ----- ( + )
- PIN2 : BLUE WIRE ----- ( PWM )
- PIN3 : BLACK WIRE ----- ( - )
- PIN4 : WHITE WIRE ----- ( FG )

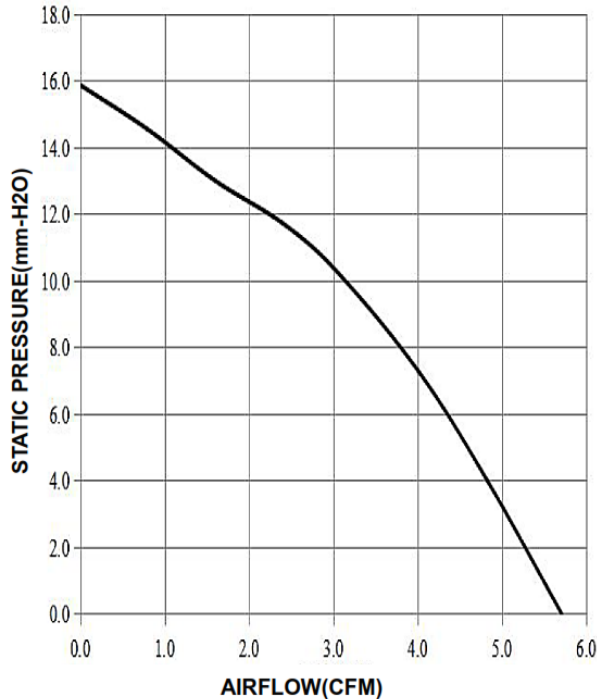


### FEATURES

<input checked="" type="checkbox"/>	FG SIGNAL	<input type="checkbox"/>	IP-55 RATED
<input type="checkbox"/>	RD SIGNAL	<input type="checkbox"/>	HIGH TEMP RATED
<input checked="" type="checkbox"/>	PWM		

<b>DIMENSIONS</b>	: 87 X 74 X 5.5 mm
<b>BEARING TYPE</b>	: AFB
<b>MOTOR PROTECTION</b>	: BY IC
<b>RATED VOLTAGE</b>	: 5.0 VDC
<b>OPERATING VOLTAGE RANGE</b>	: 3.5 ~ 5.5 VDC
<b>START-UP VOLTAGE</b>	: 3.5 VDC , POWER ON/OFF
<b>REAL CURRENT</b>	: 0.50 Amp
<b>REAL POWER</b>	: 2.50 Watt
<b>RATED CURRENT</b>	: 0.50 Amp +10% MAX (Duty cycle 100%)
<b>RATED POWER</b>	: 2.50 Watt (Duty cycle 100%)
<b>RATED SPEED</b>	: 4600 RPM ± 15 % (Duty cycle 100%)
	(IN FREE AIR AT RATED VOLTAGE)
<b>AIR FLOW</b>	: 5.70 CFM (min. 4.845 CFM)
<b>AIR FLOW</b>	: 0.161 CMM (min. 0.136 CMM)
	(IN FREE AIR AT RATED VOLTAGE)
<b>STATIC AIR PRESSURE</b>	: 0.624 InH <sub>2</sub> O (min. 0.450 InH <sub>2</sub> O)
<b>STATIC AIR PRESSURE</b>	: 15.87 mmH <sub>2</sub> O (min. 11.466 mmH <sub>2</sub> O)
	(IN FREE AIR AT RATED VOLTAGE)
<b>NOISE LEVEL (0.5M)</b>	: 41.85 dB(A) (MAX.: 44.85 dB(A))
<b>LIFE EXPECTANCY</b>	: 50000 Hours at 40°C / 65% RH
<b>NET WEIGHT</b>	: 46 Gram

### Fan Performance Curve



### MTTF & L10 Curve

